



# SP9

Single-serve undercounter precision brewer.

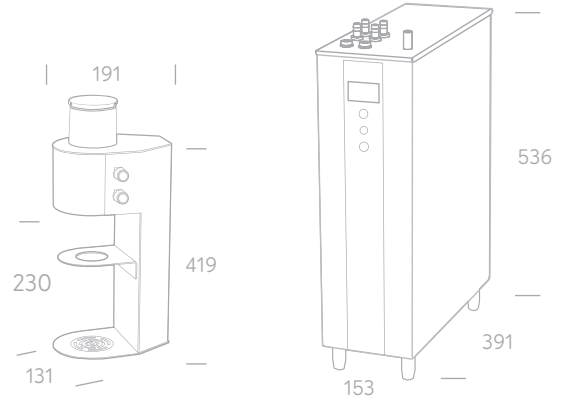
**SP9 HEAD**  
1000830



**SP9 BOILER**  
1000831



## DIMENSIONS



## SPECS

NAME ORDER CODE	POWER @ 230V	IMMEDIATE DRAW OFF	CUPS (180ml) PER HOUR	HEAD DIMENSIONS (D x W x H mm)	UNDERCOUNTER BOILER DIMENSIONS (D x W x H mm)	TAP TO COUNTER (mm)	PLUMBING REQS
SP9 Single 1000832	2.4kW	4L	25	191 x 131 x 420	395 x 155 x 565	230	3/4" BSP
SP9 Single (White) 1000832(W)							
SP9 Twin 1000833			50	191 x 131 x 420 (per head)			
SP9 Twin (White) 1000833(W)							

## PACKAGING

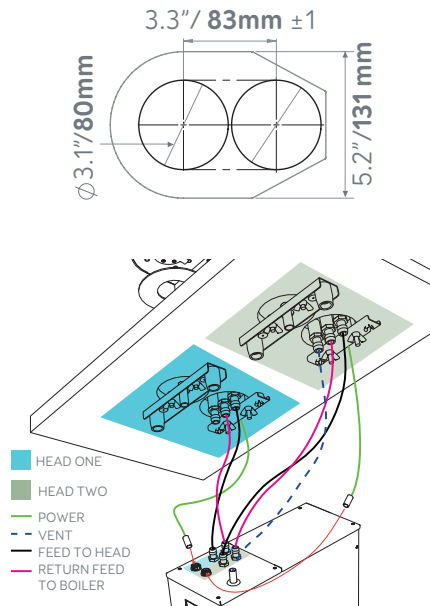
NAME ORDER CODE	PACKED WEIGHT	PACKAGING DIMENSIONS (L x W x H mm)	QTY / PALLET
SP9 Single 1000832	4.5kg (head) +	585 x 290 x 216 (head) 510 x 270 x 715 (boiler)	12
SP9 Single (White) 1000832(W)	14.1kg (boiler) <b>Total: 18.6kg (2 boxes)</b>		
SP9 Twin 1000833	4.5kg (per head) +	585 x 290 x 216 (head x2) 510 x 270 x 715 (boiler)	
SP9 Twin (White) 1000833(W)	14.1kg (boiler) <b>Total: 23kg (3 boxes)</b>		

## GOOD TO KNOW

SP9 Single / SP9 Single White [1000832 / 1000832(W)] is packed and shipped in two boxes.  
SP9 Twin / SP9 Twin White [1000833 / 1000833(W)] is packed and shipped in three boxes.

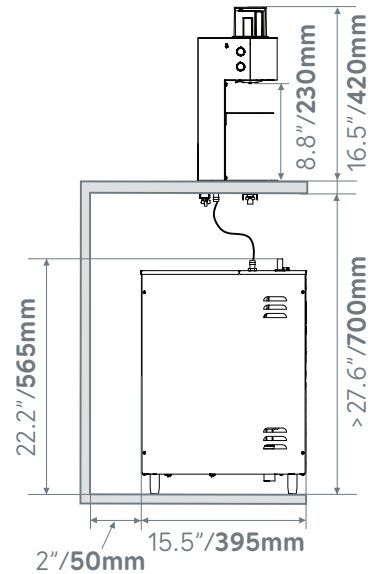
# SP9 SINGLE-SERVE PRECISION BREWER

## COUNTER CUT-OUT



SP9 SINGLE 1000832

SP9 TWIN 1000833



### VENTILATION REQUIREMENTS

50mm/1.9" clearance required at each side and back of machine if installed in an enclosed cabinet.

### ELECTRICAL INSTALLATION PROCEDURE

When installing the machine, always observe the local regulations and standards. The standard machine is supplied with a UK 3-pin plug. For EU models a 2-pin CEE-7 plug will be supplied. US models will be supplied with the suitable plug. A suitable mains power supply socket should be available within easy access of the appliance so that it can be disconnected easily after install.

### PLUMBING INSTALLATION PROCEDURE

- > Ensure that the equipment is installed according to local plumbing and water regulations.
- > Mains water pressure required (limits): 14.5 - 145psi (100 - 1000kPa, 0.1 - 1MPa).
- > Requires inline water filter within your water specifications.
- > The machine is supplied with a 3/4" BSP connection.
- > Turn on the water to flush any impurities, dust etc from the inlet hose and water pipe. Allow several litres through, especially for new installations.
- > Connect the hose to the inlet valve of the boiler. Make sure a sealing washer is fitted.

- > Turn on water and check for leaks.
- > The SP9 Head has a drip tray attached with a drain outlet which should be plumbed to waste.

### OPERATING BOILER FOR THE FIRST TIME

- > Check that all installation procedures have been carried out.
- > Ensure the water valve is on.
- > Plug in the SP9 Boiler to an appropriate electrical supply and press the power button on the front of the machine.
- > The light will glow green and the machine will fill to a safe level, above the elements, before heating.
- > The "Ready/Status" light will cycle two red flashes while the machine is filling to the safe level.
- > Whilst the machine is above the safe level and filling, the "Ready/Status" light will remain blank.
- > The "Ready/Status" light will glow green when the machine is both full and up to normal operating temperature.
- > The SP9 Boiler takes 15 minutes to heat up initially.
- > The SP9 Boiler is now ready for use.

**NOTE:** Because the machine is electronically controlled no priming is necessary.